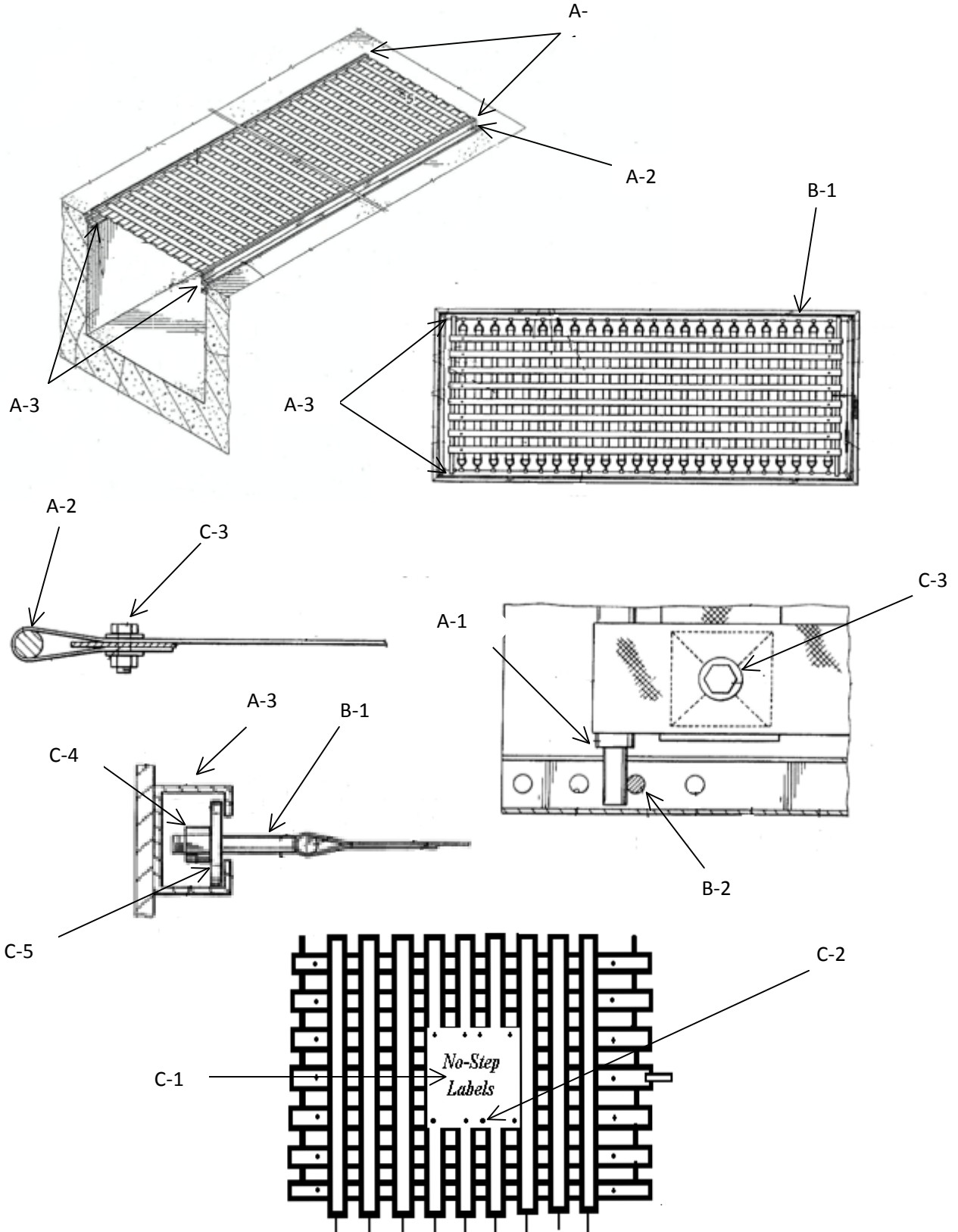


Component Specification & Drawing Summary

(Pit Bull Safety Cover)



The Pit Bull is designed to be very user friendly. When installed correctly, it is not only convenient but also extremely reliable to those who use it.

Your Pit Bull Pit Cover is removable and very easy to clean. The polyester fiber does not absorb oil, grease or water. Your Pit Bull is knot free and meets or exceeds OSHA requirements.

### Parts Specification Detail

Part #	Part Name	Weight	Width/Length	Description
A-1	Adapters	2.5	(7/12" x 3/4")	Sch.40 BLK Steel Pipe Inserted Hook (3/4"x 3/16")Flat BLK Enamel Coated
A-2	A/P Rods	3.995	3/4" x 40" (+/-)	Cold Finished Round
A-3	Channel (Track)	19.44	(1.0x1.0x.3125x18')	Cee-Galvanized Stainless Steel
B-1	T-Bolt (3")STD	0.025	(3" x 1 3/4"x 1/4")	Pan Head Stainless Steel 18-8
B-2	Detent Pins	0.06	2" T-Knob (1/4"x2 1/2")	Wrist Lanyard Attached
C-1	No-Step Labels	0.005	(13" x 10")	Mesh Printed Yellow/Black
C-2	Magnetic Pin & Backing	0.006	(0.075 x 0.060)	Blk Cap Pins & Gry Nipple Backing
C-3	Flange Nuts & Bolts	0.03	(1/4x 20 x 1)	Serrated Flange Head
C-4	Lock-Nut	0.009	(1/4x 20)	Nylon Insert Steel Zinc Plated
C-5	Washer	0.013	0.265 x 0.750 x .120	Stainless Coated Finish
N/A	Webbing (Pit Cover)	N/A	2" Polyester Webbing	8233 Black No Panel Polyester

If you have any questions or comments, feel free to contact one of our representative's at (832)-515-8385.